



ANELTEC

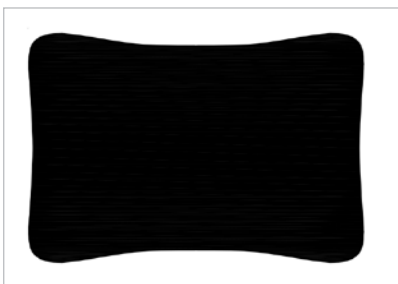
**SEAL FOR
INTERMEDIATE
PRESSURE
STATIONS
INT**

SEAL FOR INTERMEDIATE PRESSURE STATIONS ANELTEC INT the best solution for microtunneling.

With ANELTEC INT we developed a seal to be used in the new technologies of microtunneling.

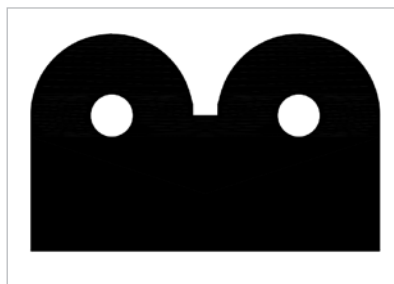
ANELTEC INT is a rubber seals for intermediate pressure stations in microtunneling made of EPDM solid rubber. The microtunneling pipe system is one of the most modern technologies for laying and replacing pipes of every diameter underground. ANELTEC offers a wide range of solutions both for pipes and intermediate pressure stations. Our company produces on the market and offers two different section designs, in order to best meet the specific needs of the customer.

PRODUCT DETAILS



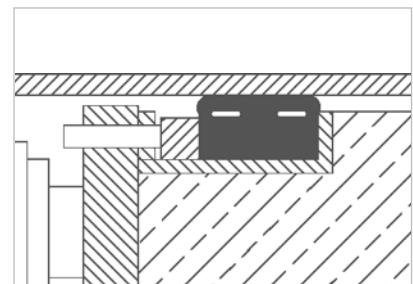
ANELTEC INT-1

The ANELTEC INT-1 seals has a rectangular section and dimensions of 60 mm x 40 mm.



ANELTEC INT-2

ANELTEC INT-2 has a more complex section measuring 65 mm x 40 mm.



Adjustable deformation

Thanks to adjustable screw plates, the seal deformation can be increased or decreased.



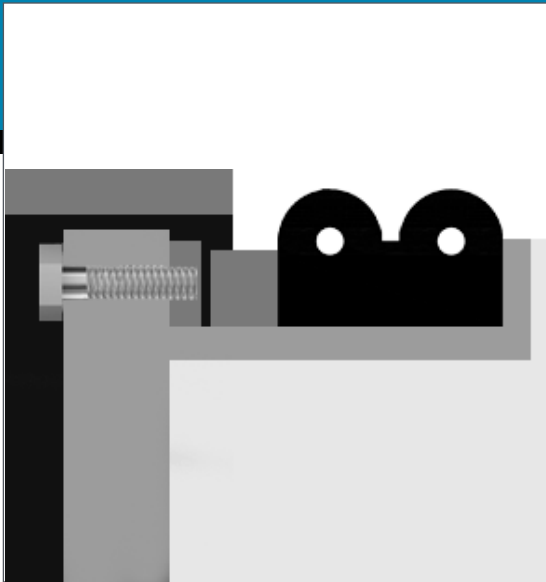
ANELTEC srl

Via Tagiura 10 | 20146 Milano | +39 02 42 23 343 | +39 02 48 95 24 70 (Fax)
info@aneltec.it | www.aneltec.it

EN 681-1



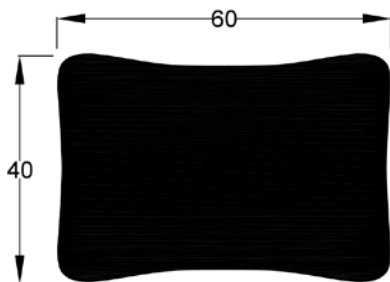
ANELTEC INT



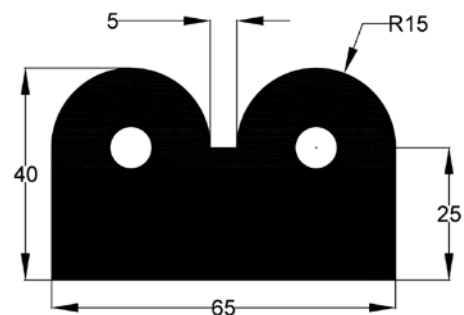
- Made of EPDM rubber with hardness 50 ± 5 IRDH, the material is highly resistant to the constant aggression of waste waters.
- No damage to the seals when pushing the pipes if lubricated correctly.
- Available in two different sections, depending on customer requirements.

SEAL SIZES

ANELTEC INT-1



ANELTEC INT-2



PIPES ASSEMBLY AND LAYING

The use of ANELTEC lubricant is recommended for the assembly of all our seals.

The gasket works with about 8% pre-tension and is positioned in the male part steel groove, securing it to the pipe by tightening the adjusting screws. The lubricant should be placed on the entire sliding area.

