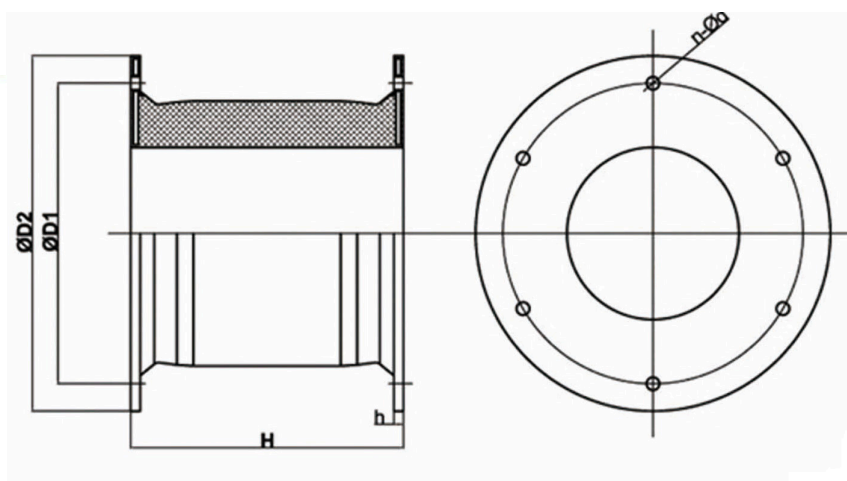
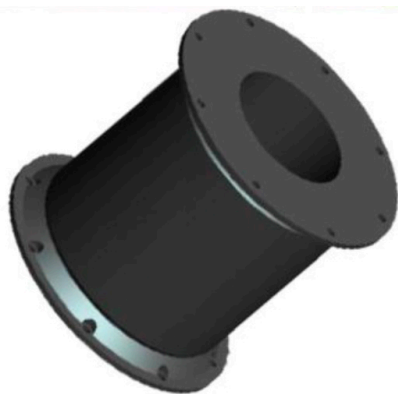


FENDER A CELLULA MISURE DISPONIBILI



MODELLO	H	Ø D2	Ø D1	h	n-Ø d
CELL 400H	400	650	550	25	4 - Ø30
CELL 500H	500	650	550	25	4 - Ø32
CELL 630H	630	840	700	30	4 - Ø39
CELL 800H	800	1050	900	30	6 - Ø40
CELL 1000H	1000	1300	1100	35	6 - Ø47
CELL 1150H	1150	1500	1300	40	6 - Ø50
CELL 1250H	1250	1650	1450	45	6 - Ø53
CELL 1450H	1450	1850	1650	47	6 - Ø61
CELL 1600H	1600	2000	1800	50	8 - Ø61
CELL1700H	1700	2100	1900	55	8 - Ø66
CELL 2000H	2000	2200	2000	55	8 - Ø74
CELL 2250H	2250	2250	2300	60	10 - Ø74
CELL 2500H	2500	2950	2700	70	10 - Ø90
CELL 3000H	3000	3350	3150	75	12 - Ø90